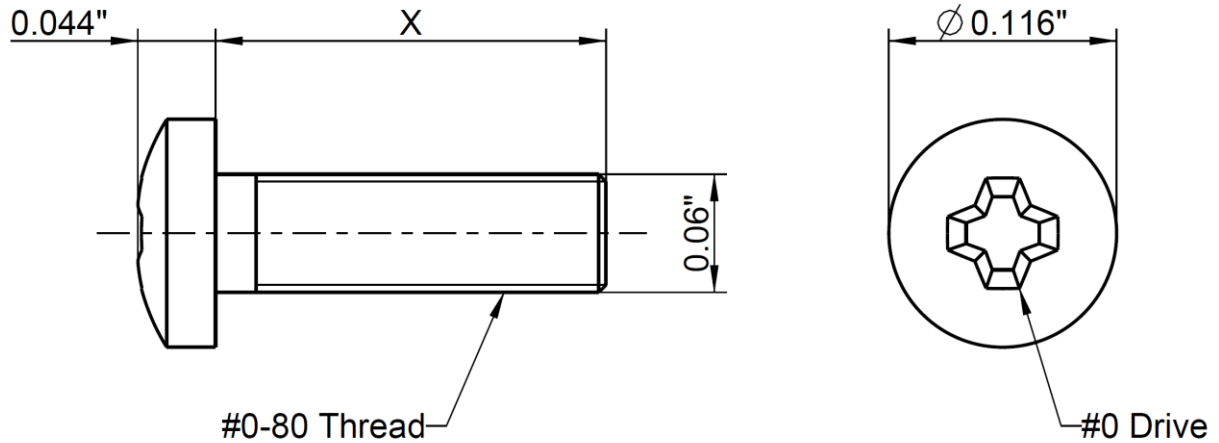


Screw

Pan Head Phillips Screw

DIN 7985-H-A2 UNF 0-80



Material and plating

Connector parts

Screw

Material

Stainless steel according to DIN 7985-H-A2 UNF 0-80

Available Screws DIN 7985-H-A2 UNF 0-80 (cylinder head screw) for different PCB lengths for Economic solderless Connectors.

X =

3/16" length = Standard (already included with the connector) DIN7985-H-A2 UNF 0-80x3/16

1/4" length = Optional (PCB thickness min. 1.2 mm to max. 4.2 mm) DIN7985-H-A2 UNF 0-80x1/4

5/16" length = Optional (PCB thickness min. 2.8 mm to max. 5.7 mm) DIN7985-H-A2 UNF 0-80x5/16

3/8" length = Optional (PCB thickness min. 4.4 mm to max. 7.4 mm) DIN7985-H-A2 UNF 0-80x3/8

7/16" length = Optional (PCB thickness min. 6.0 mm to max. 8.9 mm) DIN7985-H-A2 UNF 0-80x7/16

While the information has been carefully compiled to the best of our knowledge, nothing is intended as representation or warranty on our part and no statement herein shall be construed as recommendation to infringe existing patents. In the effort to improve our products, we reserve the right to make changes judged to be necessary.

Draft	Date	Approved	Date	Rev.	Engineering change number	Name	Date
Martin Moder	18.10.19	F. Reiner	30.10.19	a00	19-0008	S. Schmid	30.10.19

Rosenberger Hochfrequenztechnik GmbH & Co. KG
 P.O.Box 1260 D-84526 Tittmoning Germany
www.rosenberger.de

Tel. : +49 8684 18-0
 Email : info@rosenberger.de

Page

1 / 1